

RDA-4 Interface Module

For RDC-3/3MP, RDR-2 and other third-party Wiegand26/64 bit Readers



VisAccess

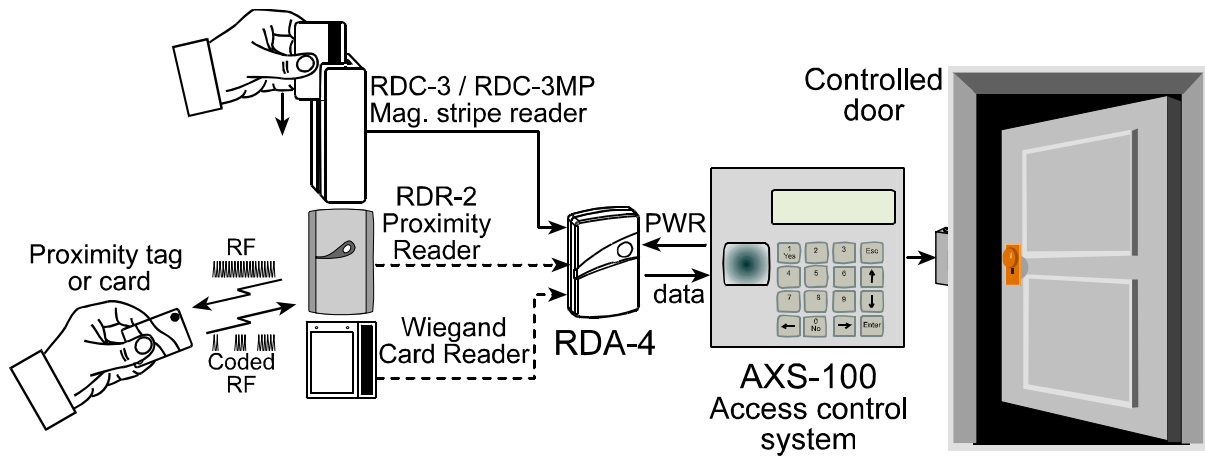
Installation Guide

Product Overview



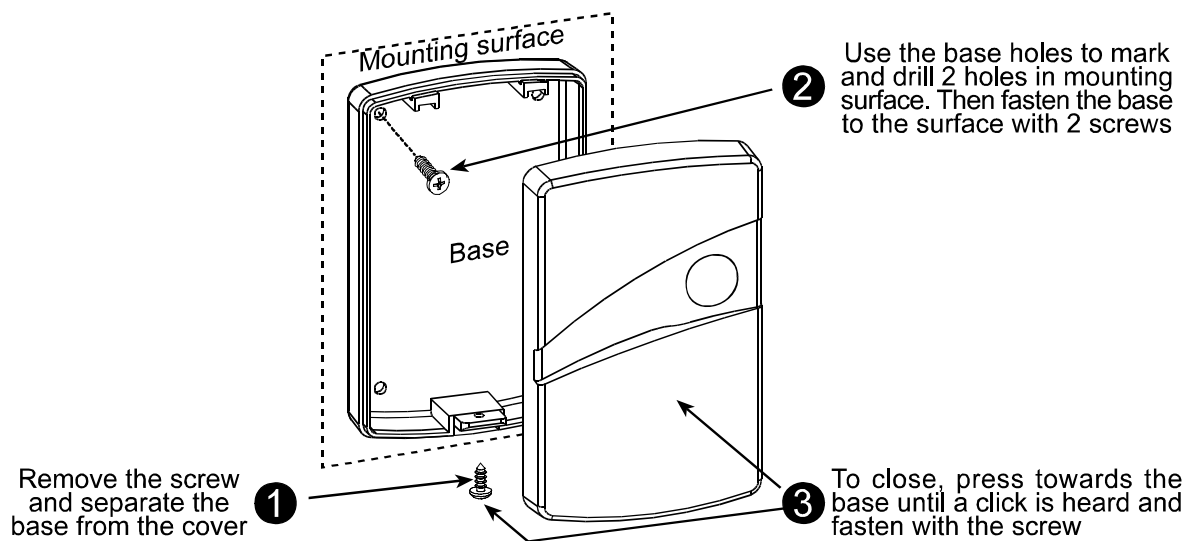
The RDA-4 Interface Module makes possible the usage of VisAccess RDC-3, RDC-3MP or RDR-2 door readers as well as any third-party Wiegand 26/64-bit compatible door readers with the AXS-100 controller.

CAUTION: It is important that you read, understand, and follow the instructions in this document. If you have questions, call your local VT support representative.



RDA-4 Interface Module Configuration

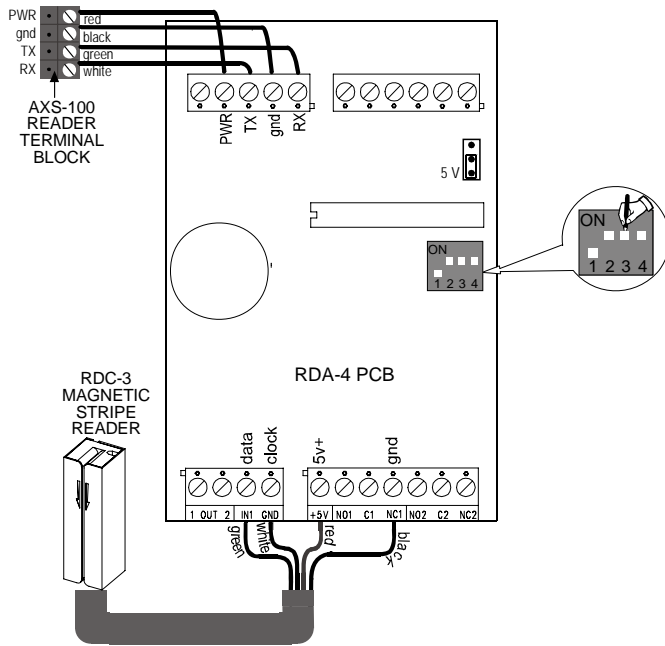
Installation Guidelines



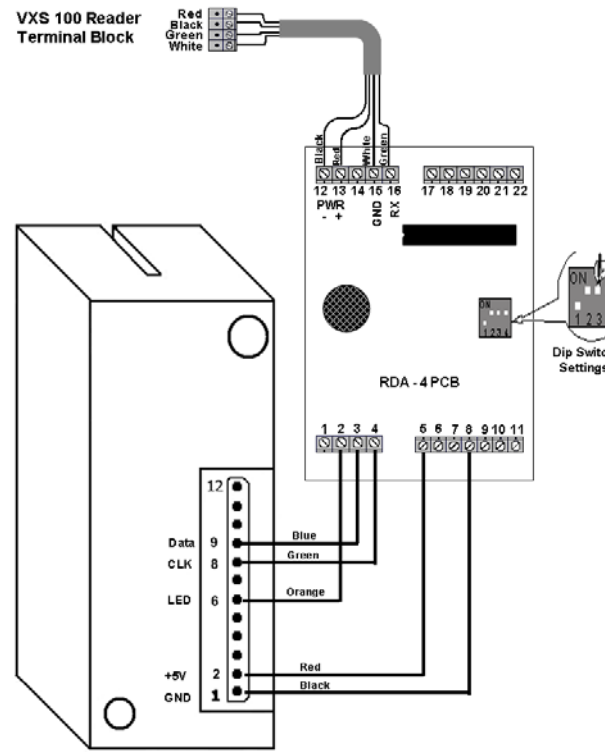
Mounting Installations

RDA-4 Interface Module – Installation Guide

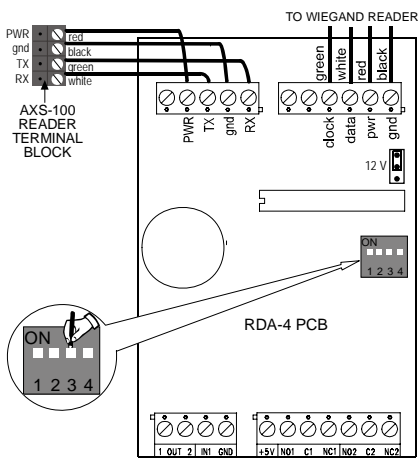
Wiring the RDA-4 Interface Module



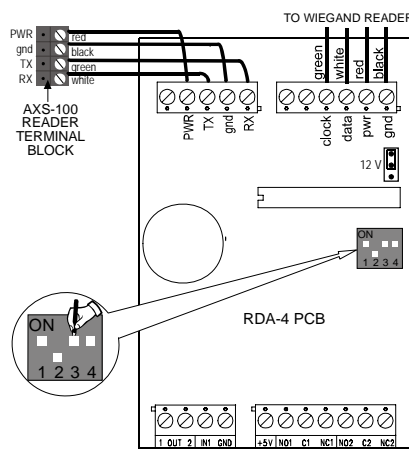
RDA-4 to RDC-3 Reader Interface



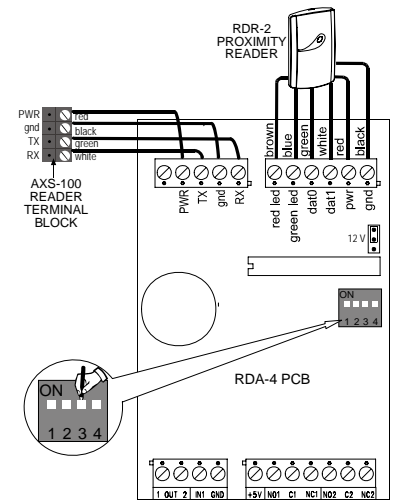
RDA-PC to RDC-3MP Reader Interface



RDA-4 to Wiegand Reader Interface



RDA-4 to Wiegand Reader (Keypad) Interface



RDA-4 to RDR-2 Reader Interface

LED Indicators

RDA-4, RDR-2 and RDC-3MP LEDs illuminate according to the specific events detailed below.

EVENT	RDA-4	RDR-2	RDC-3MP
Valid key	Green	Green	Green
Invalid key	Red	Red	Red
Invalid door or Invalid time zone	Flashing Yellow/Red	Flashing Yellow/Red	Red
Idle	Amber	Amber	Red

RDA-4 Interface Module – Installation Guide

TECHNICAL SPECIFICATIONS	
Power Requirements	12 VDC (supplied by the AXS-100 controller)
AXS-100 Interface	Four conductor; 22 AWG up to 60 meters (200 ft) Four conductor; 18 AWG up to 100 meters (325 ft)
Reader Interfaces	RDA-4 to RDR-2: 100m (300 ft) RDA-4 TO RDC-3/RDC-3MP: 5.0m (15.0 ft)
Construction	Polymer plastic
Color	Black
Dimensions	118mm x 75mm x 34mm (4.6 inches x 2.8 inches x 1.3 inches)
Weight	127 grams (4.5 ounces) approximate
Temperature & Humidity	-20° to 49°C (-4° to 120°F); 20% to 80% non-condensing
Warranty	One year limited warranty

Ordering Details

PART INFORMATION	
3-6227-0	RDA-4 Interface Module for AXS-100 controller
COMPATIBLE ACCESS CONTROL READERS	
3-6302-0	RDR-2, Wiegand26 compatible, Proximity Reader
3-6295-0	RDC-3, Indoor, Plastic, Magnetic Strip Reader
3-6297-1	RDC-3MP, Metal, Outdoor, Anti-vandal Magnetic Stripe Reader

Product Warranty

Visonic Technologies Ltd. (VT or the 'Company'), and its affiliates, warrants its products (hereinafter referred to as "the Product") to be free of defects in materials and workmanship under normal operating conditions and use for a period of one year from the date of shipment by VT. The Company's obligations shall be limited within the warranty period, at its option, to repair or to replace the defective Product or any defective component or part thereof. To exercise this warranty, the product must be returned to the manufacturer freight prepaid and insured.

This warranty does not apply to repairs or replacement caused by improper installation, Product misuse, failure to follow installation or operating instructions, alteration, abuse, accident, tampering, repair by anyone other than VT, external causes, and failure to perform required preventive maintenance. This warranty also does not apply to any products, accessories, or attachments used in conjunction with the Product, including batteries, which shall be covered solely by their own warranties, if any. VT shall not be liable for any damage or loss whatsoever, whether directly, indirectly, incidentally, consequentially or otherwise, resulting from a malfunction of the Product due to products, accessories, or attachments of others, including batteries, used in conjunction with the Product.

VT MAKES NO EXPRESS WARRANTIES EXCEPT THOSE STATED IN THIS STATEMENT. VT DISCLAIMS ALL OTHER WARRANTIES, EXPRESS OR IMPLIED, INCLUDING WITHOUT LIMITATION IMPLIED WARRANTIES OF MERCHANTABILITY AND FITNESS FOR A PARTICULAR PURPOSE. VT'S SOLE RESPONSIBILITY FOR WARRANTY CLAIMS IS LIMITED TO REPAIR OR TO REPLACE AS SET FORTH IN THIS STATEMENT.

VT shall have no liability for any death, personal injury, property damage, or other loss whether direct, indirect, incidental, consequential, or otherwise, based on a claim that the Product failed to function. However, if VT is held liable, whether directly or indirectly, for any loss or damage arising under this limited warranty or otherwise, regardless of cause or origin, VT's maximum liability shall be limited to the purchase price of the Product, which shall be fixed as liquidated damages and not as a penalty, and shall be the complete and exclusive liability of VT.

VT shall not, under any circumstances whatsoever, be liable for any inaccuracy, error of judgment, default, or negligence of VT, its employees, officers, agents, or any other party, or of the purchaser or user, arising from any assistance or communication of any kind regarding the configuration, design, installation, or creation of security system involving the Product, that being the responsibility of the purchaser or user.

If VT is not enabled to make such repair or replacement, VT's entire liability shall be limited to the cost of a reasonable substitute product. VT shall not be responsible for any dismantling, installation, reinstallation, purchasing, shipping, insurance, or any similar charges.

VT shall have no liability for any damages, including without limitation, any direct, indirect, incidental, special, or consequential damages, expenses, costs, profits, lost savings or earnings, or other damages arising out of the use of the Product or the removal, installation, reinstallation, repair or replacement of the Product or any related events. In the event that there is any liability against VT, such liability shall be limited to the purchase price of the Product which amount shall be fixed as liquidated damages.

The purchaser and user understand that this Product may be compromised or circumvented by intentional acts; that the Product will not in all cases prevent death, personal injury, property damage, or other loss resulting from burglary, robbery, fire or other causes; and that the Product will not in all cases provide adequate warning or protection. The purchaser and user also understand that a properly installed and maintained alarm may reduce the risk of events such as burglary, robbery, and fire without warning, but it is not insurance or a guarantee that such events will not occur or that there will be no death, personal injury, property damage, or other loss as a result of such events.

By purchasing the Product, the purchaser and user shall defend, indemnify and hold VT, its officers, directors, affiliates, subsidiaries, agents, servants, employees, and authorized representatives harmless from and against any and all claims, suits, costs, damages, and judgments incurred, claimed, or sustained whether for death, personal injury, property damage, or otherwise, because of or in any way related to the configuration, design, installation, or creation of a security system involving the Product, and the use, sale, distribution, and installation of the Product, including payment of any and all attorney's fees, costs, and expenses incurred as a result of any such events.

The purchaser or user should follow the Product installation and operation instructions and test the Product and the entire system at least once each week. For various reasons, including but not limited to changes in environmental conditions, electric, electronic, or electromagnetic disruptions, and tampering, the Product may not perform as expected. The purchaser and user are advised to take all necessary precautions for the protection and safety of persons and property.

This statement provides certain legal rights. Other rights may vary by state or country. Under certain circumstances, some states or countries may not allow exclusion or limitation of incidental or consequential damages or implied warranties, so the above exclusions may not apply under those circumstances and in those states or countries.

VT reserves the right to modify this statement at any time, in its sole discretion without notice to any purchaser or user. However, this statement shall not be modified or varied except by VT in writing, and VT does not authorize any single individual to act on its behalf to modify or vary this statement.

Any questions about this statement should be directed to VT. 3/07

VT World Headquarters * Tel Aviv, Israel * Tel: + 972 3 768-1400 * support@visonictch.com

VT Americas * Bloomfield, CT (USA) * Tel: 1-800-223-0020 * vta_support@visonictch.com

VT United Kingdom * Beckenham Kent BR3 90BF, England * Tel: + 44-870-730-0840 * vtuk_support@ visonictch.com

Visonic GmbH * D-40215 Düsseldorf, Germany * Tel: + 49-0-211-600-696-0 * support@ visonictch.de

Additional information may be found at www.VT-Partners.com



Manufactured In Israel



W.E.E.E. Product Recycling Declaration

For information regarding the recycling of this product you must contact the company from which you originally purchased it. If you are discarding this product and not returning it for repair then you must ensure that it is returned as identified by your supplier. This product is not to be thrown away with everyday waste.
Directive 2002/96/EC Waste Electrical and Electronic Equipment.