

1. GENERAL INFORMATION

A V-XS controller standalone system can control up to 16 doors in one loop. A controllers loop consists of up to 8 controllers (see figure 1) connected with twisted pair wires (RS-485 communication format).

In a controllers loop, each controller has its own address. The controller whose address is #1 is the "MASTER" controller. To set the controllers addresses, please refer to figure 2.

If a computer is used to monitor and control the loop, it must be connected to controller #1. Controller #1 communicates with the computer by RS-232 communication format.

2. CONNECTIONS BETWEEN THE CONTROLLERS

The connection between the controllers must be implemented with twisted pairs cable (CAT-5). The maximum distance between controller #1 and the farthest one is no longer then 1200 meters.

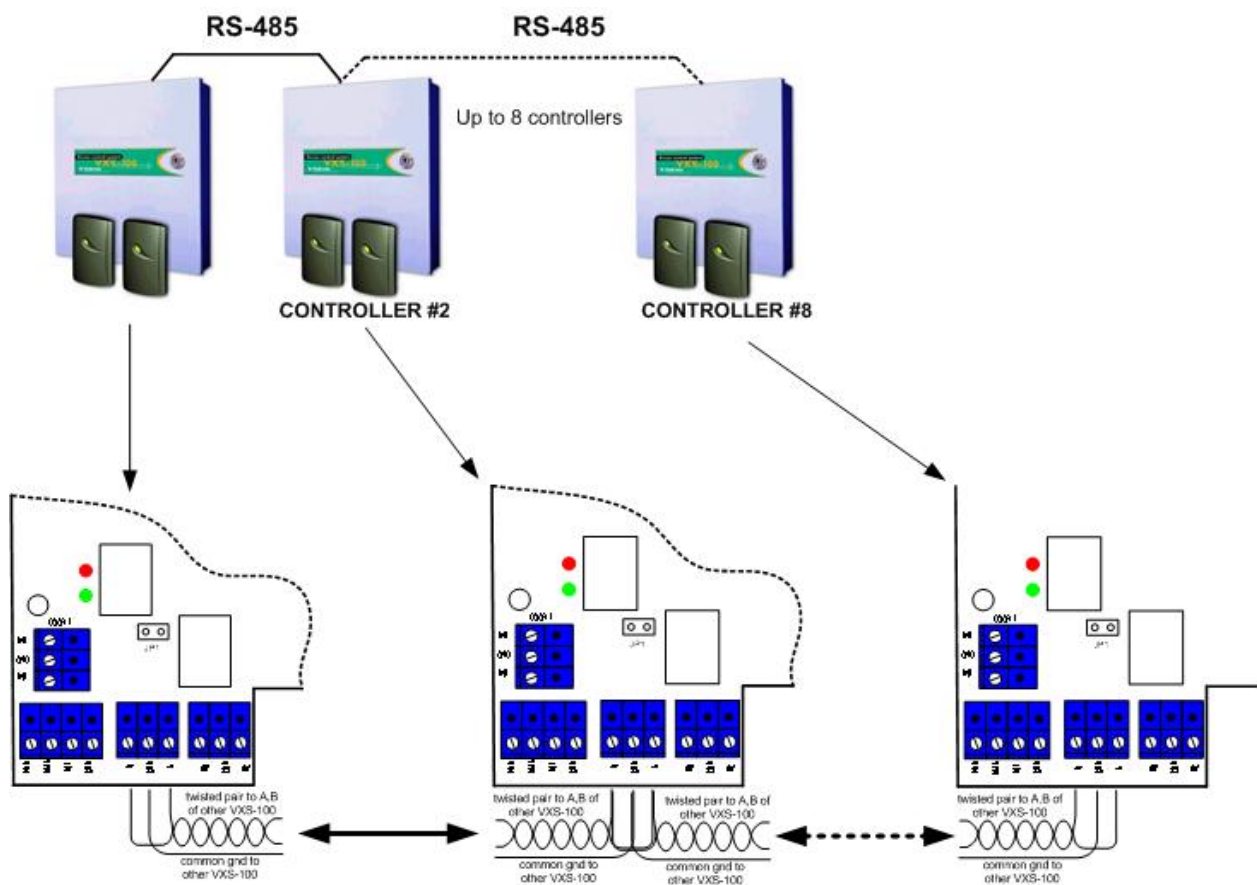


Figure 1 – Connecting V-XS Controllers Loop

3. CONTROLLERS ADDRESS

Set up the controller's address as follows:

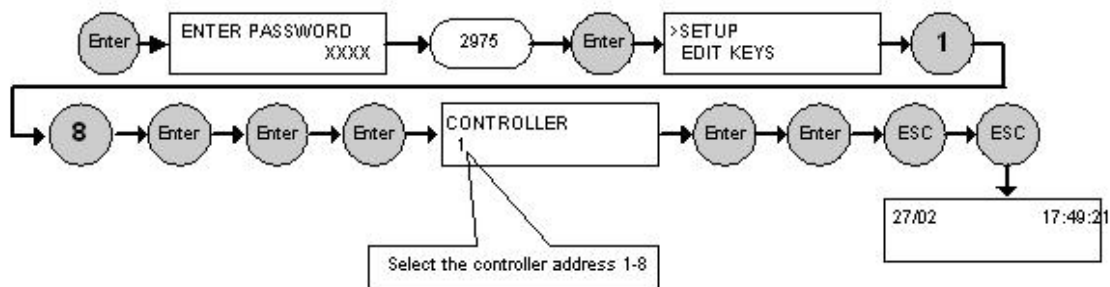


Figure 2 – Setting Controller's Address

NOTE: If you are working with only one controller, there is no need to set the controller address.

The default address is #1.

The default operation mode is 7.

4. CONNECTING PC TO A LOOP OF V-XS CONTROLLERS

The controllers' loop can be monitored and controlled by PC software. The connection between the PC and the loop is via controller #1. The connection cable must be a twisted pair cable (CAT-5). The maximum distance between controller #1 and the PC is 20 Meters.

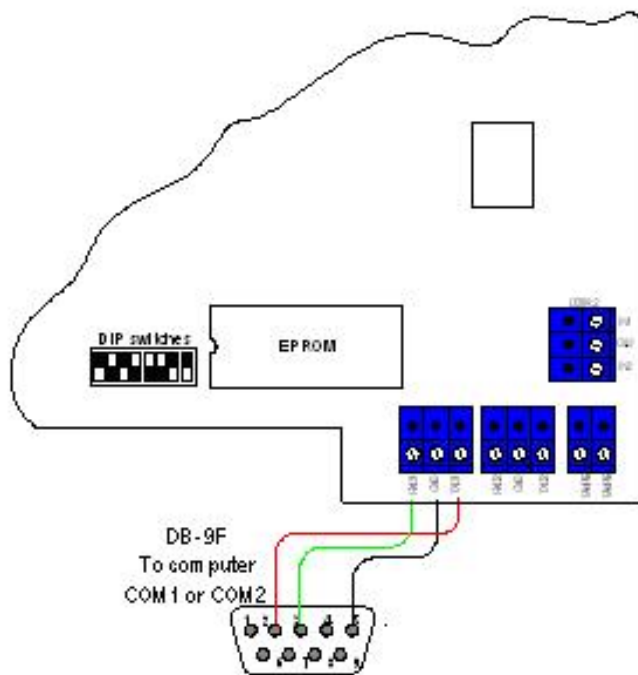


Figure 4 – Connecting a PC to an V-XS controllers Loop



VISONIC TECHNOLOGIES. (ISRAEL): 30 Habarzel St. Tel Aviv 69710 ISRAEL Tel 972-3-7681400 Fax: 972-3-7681415 E-MAIL: support@visonictech.com
 VTA (VISONIC TECHNOLOGIES AMERICAS): 65 West Dudley Town Road, Bloomfield CT. 06002-1911 USA. TEL.: (860) 243 0833, (800) 223 0020
 FAX: (860) 242-8094 E-MAIL: usa_support@visonic.com
 VT UK (VISONIC TECHNOLOGIES UK): Fraser Road, Priory Business Park, Bedford MK44 3WH ENGLAND. TEL.: 44-870-730-0840; FAX: 44-870-730-0839
 INTERNET: www.visonictech.com

©VISONIC TECHNOLOGIES LTD. 2004 V-XS DE6281DRQ (REV. 1, 3/05)

