

# RDC-3, RDC-3MP

## Magnetic Strip Card Readers

For AXS-10, AXS-10 Pro & AXS-100 Access Control Systems



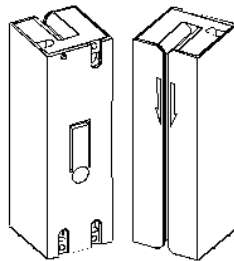
# VisAccess

## Installation Guide

### Product Overview

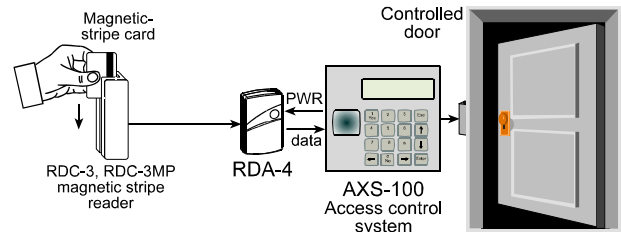
The RDC-3 and RDC-3MP are ISO 7811 compliant magnetic strip card readers for the VisAccess AXS-10, AXS-10 Pro & AXS-100 systems.

The RDC-3 is designed for indoor installations, while the anti-vandal RDC-3MP is suitable for high-risk, all-weather locations where polymer constructed readers are not usable.

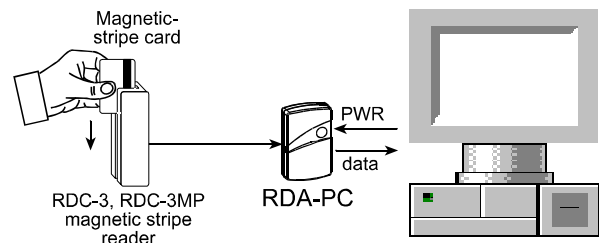


RDC-3 Reader

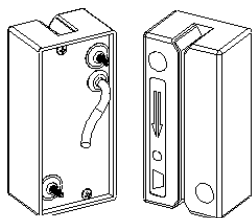
Optionally, the RDC-3/3MP readers may be interfaced with AXS-100 access control systems through the RDA-4 reader interface module.



Additionally, the RDA-PC Batch Enrollment Adapter facilitates the usage of RDC-3/3MP readers for the enrollment of card ID data from large numbers of mag-strip cards into Visonic Technologies' AxsAlert (all versions) or EIRIS V4.6 (or higher) enterprise software platforms.



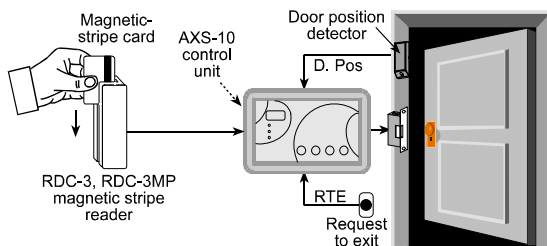
**CAUTION:** It is important that you read, understand, and follow the instructions in this document. If you have questions, call your local VT support representative.



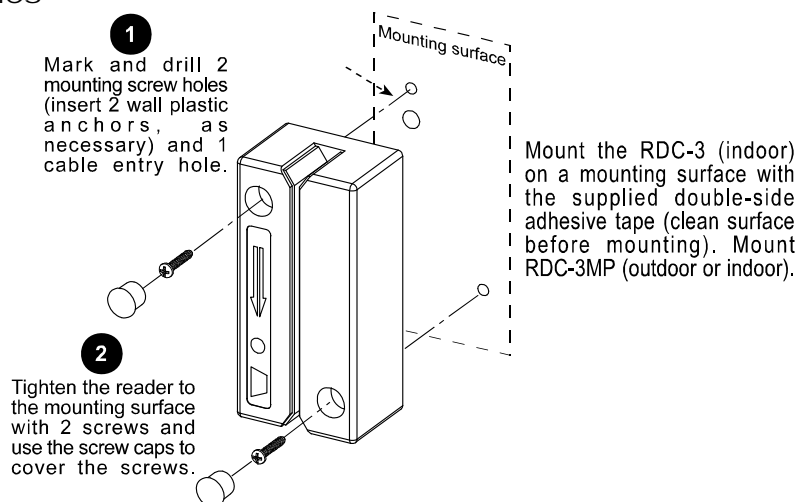
RDC-3MP Reader

Both readers feature long reader head life durability, low power consumption & bi-direction read capability of single or dual mag tracks. The RDC-3MP also has triple track read functionality of high or low coercivity mag-strip cards.

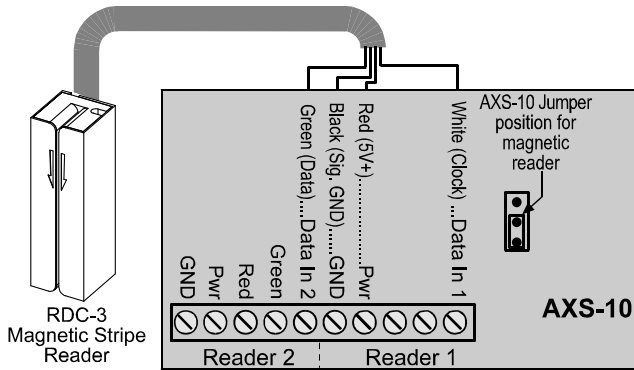
The RDC-3 is supplied with a 1m (3.2 ft) 4-conductor shielded cable, while the RDC-3MP has a 1.5m (5.0 ft) 7-conductor shielded cable for wiring the devices to the AXS-10 controller.



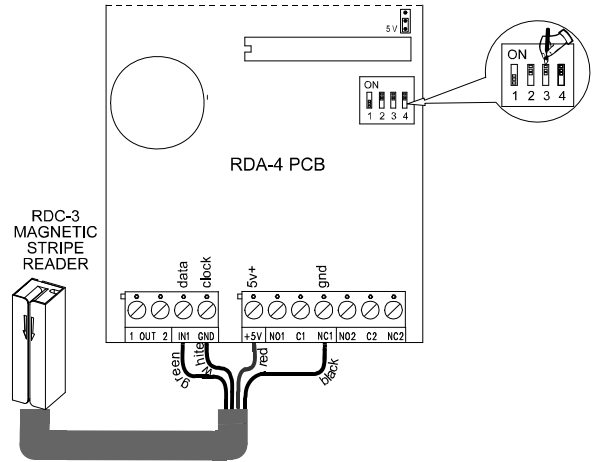
### Mounting Guidelines



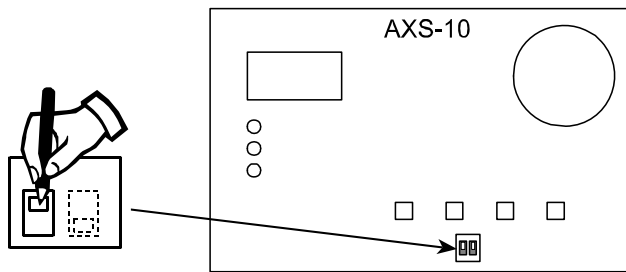
Wiring the Readers



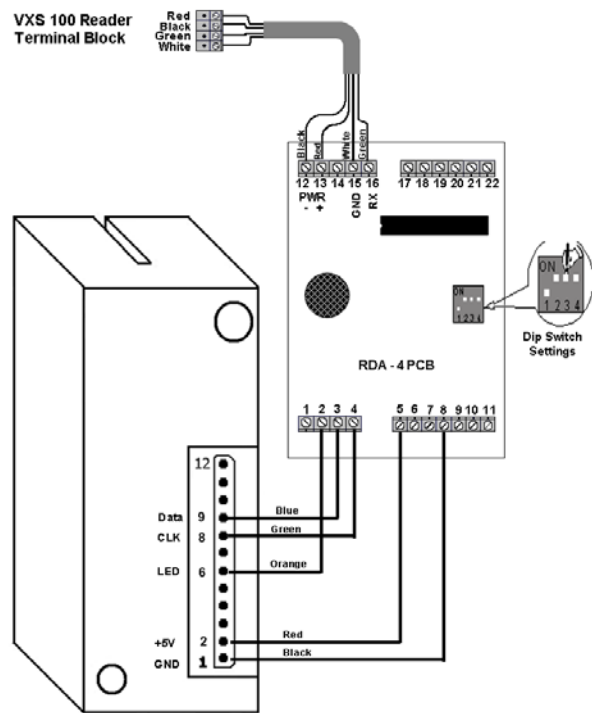
RDC-3 to AXS-10



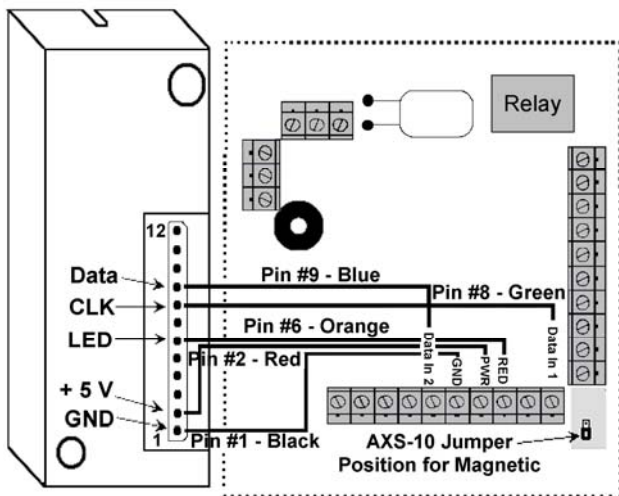
RDC-3 to RDA-4/RDA-PC



AXS-10 DIP Switch Setting for Magnetic Stripe Readers



RDC-3MP to RDA-4 / RDA-PC



Magnetic Stripe Reader RDC-3MP Wiring

# RDC-3, RDC-3MP Magnetic Strip Card Readers – Installation Guide

RDC-3 Specifications	
Power	5.0 VDC nominal $\pm$ 5%
Current	Less than 10mA
Power Source	AXS-10 access controller AXS-100 access controller via RDA-4 adapter
Card Standard	ISO 7811
Data Tracks	2 (IATA)
Reading Method	210BPI
Output Levels	High - 2.4V min, low - 0.8V max
Feeding Speed	15 - 120 cm/sec
Head Life	300,000 card passes minimum
Construction	Polymer plastic - indoor usage only
Dimensions (L x W x D):	99.0 x 31.0 x 32.0mm (3.875 x 1.187 x 1.25 inches)
Color	Black
Weight	45 grams (1.6 ounces) approximate
Temperature & Humidity	0° to 50°C (32° to 122°F); 20% to 80% non-condensing
Supplied Cable	1m (3 ft), 4-conductor shielded cable
Maximum Cable Length from Controller	5.0 meters (16.4 feet)
Compatible Software	EIRIS V4.6 or higher or AXSalert (all versions) via the RDA-PC batch enrollment adapter
Warranty	One year limited warranty

RDC-3MP Specifications	
Power	4.5 - 5.5 VDC nominal $\pm$ 5%
Current	Less than 35mA
Power Source	AXS-10 access controller AXS-100 access controller via RDA-4 adapter
Card Standard	ISO 7811
Data Tracks	Track 1, 2 (or 3, in high or low coercivity)
Reading Method	210BPI
Output Type	Open-collector (pulled up internally by 4,700 ohm res.)
Protocol	AB (TTL + LED)
Feeding Speed	15 - 120 cm/sec
Head Life	300,000 card passes minimum
LED Status Indicator	Red: In-valid card Green: Valid card
Construction	Stainless steel – indoor/outdoor usage
Dimensions (L x W x D):	104 x 49.5 x 35.0mm (3.875 x 1.187 x 1.25 inches)
Color	Natural aluminum color
Weight	45 grams (1.6 ounces) approximate
Operating Temperature & Humidity	0° to 50°C (32° to 122°F); 05% to 95% non-condensing
Storage Temperature	-20 to +70°C (-4 to 158°F)
Supplied Cable	1.5 m (5.0 ft), 7-conductor shielded cable
Maximum Cable Length from Controller	5.0 meters (16.4 feet)
Compatible Software	EIRIS V4.6 or higher or AXSalert (all versions) via the RDA-PC batch enrollment adapter
Warranty	One year limited warranty

## Ordering Details

Part Information	
3-6297-1	RDC-3, Plastic, Indoor magnetic-stripe reader
3-6297-0	RDC-3MP, Metal, anti-vandal, Indoor/Outdoor magnetic strip reader
Compatible Accessories	
3-6319-0	RDA-4, Reader interface module for AXS-100r
3-6227-0	RDA-PC, Batch enrollment adapter/110V 60Hz transformer
3-6227-1	RDA-PC, Batch enrollment adapter/230V 50Hz transformer

## Product Warranty

Hereinafter referred to as "the Product") to be free of defects in materials and workmanship under normal operating conditions and use for a period of one year from the date of shipment by VT. The Company's obligations shall be limited within the warranty period, at its option, to repair or to replace the defective Product or any defective component or part thereof. To exercise this warranty, the product must be returned to the manufacturer freight prepaid and insured.

This warranty does not apply to repairs or replacement caused by improper installation, Product misuse, failure to follow installation or operating instructions, alteration, abuse, accident, tampering, repair by anyone other than VT, external causes, and failure to perform required preventive maintenance. This warranty also does not apply to any products, accessories, or attachments used in conjunction with the Product, including batteries, which shall be covered solely by their own warranties, if any. VT shall not be liable for any damage or loss whatsoever, whether directly, indirectly, incidentally, consequentially or otherwise, resulting from a malfunction of the Product due to products, accessories, or attachments of others, including batteries, used in conjunction with the Product.

VT MAKES NO EXPRESS WARRANTIES EXCEPT THOSE STATED IN THIS STATEMENT. VT DISCLAIMS ALL OTHER WARRANTIES, EXPRESS OR IMPLIED, INCLUDING WITHOUT LIMITATION IMPLIED WARRANTIES OF MERCHANTABILITY AND FITNESS FOR A PARTICULAR PURPOSE. VT'S SOLE RESPONSIBILITY FOR WARRANTY CLAIMS IS LIMITED TO REPAIR OR TO REPLACE AS SET FORTH IN THIS STATEMENT.

VT shall have no liability for any death, personal injury, property damage, or other loss whether direct, indirect, incidental, consequential, or otherwise, based on a claim that the Product failed to function. However, if VT is held liable, whether directly or indirectly, for any loss or damage arising under this limited warranty or otherwise, regardless of cause or origin, VT's maximum liability shall be limited to the purchase price of the Product, which shall be fixed as liquidated damages and not as a penalty, and shall be the complete and exclusive liability of VT.

VT shall not, under any circumstances whatsoever, be liable for any inaccuracy, error of judgment, default, or negligence of VT, its employees, officers, agents, or any other party, or of the purchaser or user, arising from any assistance or communication of any kind regarding the configuration, design, installation, or creation of security system involving the Product, that being the responsibility of the purchaser or user.

If VT is unable to make such repair or replacement, VT's entire liability shall be limited to the cost of a reasonable substitute product. VT shall not be responsible for any dismantling, installation, reinstallation, purchasing, shipping, insurance, or any similar charges.

VT shall have no liability for any damages, including without limitation, any direct, indirect, incidental, special, or consequential damages, expenses, costs, profits, lost savings or earnings, or other damages arising out of the use of the Product or the removal, installation, reinstallation, repair or replacement of the Product or any related events. In the event that there is any liability against VT, such liability shall be limited to the purchase price of the Product which amount shall be fixed as liquidated damages.

The purchaser and user understand that this Product may be compromised or circumvented by intentional acts; that the Product will not in all cases prevent death, personal injury, property damage, or other loss resulting from burglary, robbery, fire or other causes; and that the Product will not in all cases provide adequate warning or protection. The purchaser and user also understand that a properly installed and maintained alarm may reduce the risk of events such as burglary, robbery, and fire without warning, but it is not insurance or a guarantee that such events will not occur or that there will be no death, personal injury, property damage, or other loss as a result of such events.

By purchasing the Product, the purchaser and user shall defend, indemnify and hold VT, its officers, directors, affiliates, subsidiaries, agents, servants, employees, and authorized representatives harmless from and against any and all claims, suits, costs, damages, and judgments incurred, claimed, or sustained whether for death, personal injury, property damage, or otherwise, because of or in any way related to the configuration, design, installation, or creation of a security system involving the Product, and the use, sale, distribution, and installation of the Product, including payment of any and all attorney's fees, costs, and expenses incurred as a result of any such events.

The purchaser or user should follow the Product installation and operation instructions and test the Product and the entire system at least once each week. For various reasons, including but not limited to changes in environmental conditions, electric, electronic, or electromagnetic disruptions, and tampering, the Product may not perform as expected. The purchaser and user are advised to take all necessary precautions for the protection and safety of persons and property.

This statement provides certain legal rights. Other rights may vary by state or country. Under certain circumstances, some states or countries may not allow exclusion or limitation of incidental or consequential damages or implied warranties, so the above exclusions may not apply under those circumstances and in those states or countries.

VT reserves the right to modify this statement at any time, in its sole discretion without notice to any purchaser or user. However, this statement shall not be modified or varied except by VT in writing, and VT does not authorize any single individual to act on its behalf to modify or vary this statement. Any questions about this statement should be directed to VT. 3/07

VT World Headquarters \* Tel Aviv, Israel \* Tel: + 972 3 768-1400 \* support@visonictch.com

VT Americas \* Bloomfield, CT (USA) \* Tel: 1-800-223-0020 \* vta\_support@visonictch.com

VT United Kingdom \* Beckenham Kent BR3 90BF, U.K. \* Tel: + 44-870-730-0840 \* vtuk\_support@ visonictch.com

Additional information may be found at: [www.VT-Partners.com](http://www.VT-Partners.com)

