

### RDV-4 VANDAL RESISTANT PROXIMITY READER

#### DESCRIPTION

The VisAccess RDV-4 Vandal Resistant Proximity Reader from Visonic Technologies is an ultra-slim, architecturally attractive, indoor/outdoor proximity reader for the AXS-100 access control system. The RDV-4 handles the same proximity cards and tags as all other VisAccess proximity readers but is more suitable for severe weather, high-risk, high-traffic environments where standard readers made of polycarbonate materials are not appropriate.

The solid state electronics of the RDV-4 reader is housed in an epoxy potted, IP68 rated solid-aluminum casing. The design ensures years of virtually maintenance free durability, unparalleled reliability, and consistent read-ranges (up to 100mm (4.0 inches) regardless of card or tag orientation.

Designed for conventional wall mounting, no rewiring or pulling of new cable is required to upgrade from other VisAccess proximity readers. The reader also provides a tri-color LED status indicator plus an output buzzer interface.



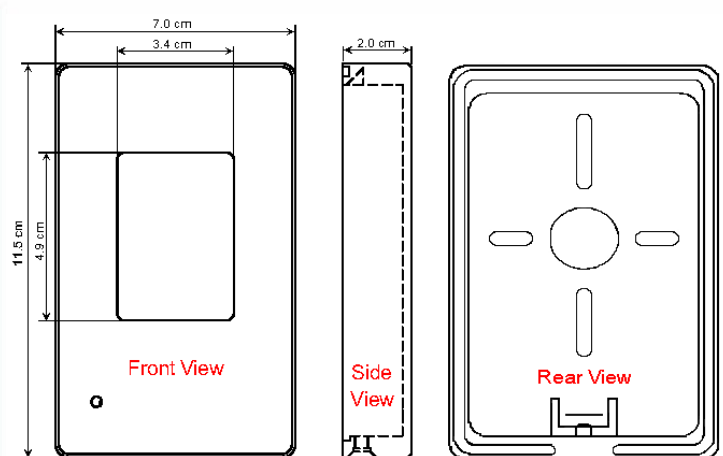
RDV-4 Vandal Resistant Proximity Reader

#### FEATURES

- ✓ Small, architect ally attractive
- ✓ Ideal for high-traffic, high-risk environments
- ✓ Vandal and tamper resistant
- ✓ Epoxy potted / 100% weather and dust proof (IP68)
- ✓ No moving parts (solid state construction)
- ✓ Tri-color LED Status Indicator, output buzzer interface
- ✓ CE, FCC and Canadian certified

#### ORDERING INFORMATION

Part Number	Description
5-100088	RDR-4 Vandal Resistant Proximity Reader

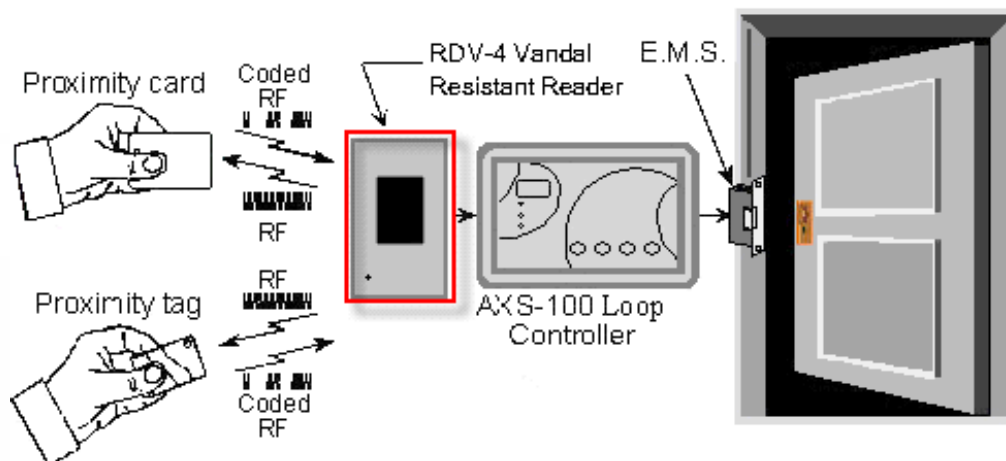


## SPECIFICATIONS

Electrical	
Power Source	AXS-100 access controller
Device Interfaces	To AXS-100 Access Controller: 4 color-coded conductors (recommended: red, black, green, white) To optional external buzzer: 2 color-coded conductors (Recommended: brown, blue)
AXS-100 Controller Cabling	Four conductors, non-shielded, stranded 22 AWG: up to 60m (200 ft.) Four conductors, non-shielded, stranded 18 AWG: up to 100m (320 ft.)
Buzzer Cabling (optional)	Two conductors, non-shielded, stranded 22 AWG: up to 60m (200 ft.) Two conductors, non-shielded, stranded 18 AWG: up to 100m (320 ft.)
External Buzzer Current	50mA maximum
Minimum Distance Between Readers	60 cm (2.0 ft.)
Transmitting Frequency	125 kHz
Typical Tag/Card Reader Range	Up to 100mm (4.0 inches) - Actual range depends on proximity card or tag
Tri-color LED Status Indicator	<b>Green:</b> Indicates that a valid tag has been presented and that the output relay was activated <b>Red:</b> Indicates that an in-valid tag has been presented <b>Amber:</b> Indicates that the device is properly powered
General	
Construction	Solid anodized aluminum
Color	Natural aluminum color
Weight	305 grams (10.8 ounces)
Physical Dimensions	7.0cm length x 11.5cm width x 2.0cm thickness (2.76 inches x 4.53 inches x 0.79 inches )
Operational Temperature	-20°to 50°C (-4°to 122°F)
Operating Humidity	0-95%, relative humidity, non-condensing
Housing	IP68 environmental protection rated
Standards and Certifications	EC standards: Directive 11999/5/EC and of the Council of 9 March 1999, USA certification: FCC Part 15.231 Level C FCC ID#GSARDR Canada certification: 14671021313
Warranty	One year limited warranty

Additional information may be found at [www.VT-Partners.com](http://www.VT-Partners.com)

## SYSTEM TOPOLOGY



**VT World Headquarters** \* Tel Aviv Israel \* Tel: +972-3-7681400 \* [marketing@visonictech.com](mailto:marketing@visonictech.com)

**VT Americas** \* Bloomfield, CT (USA) \* Tel: 1-800-223-0020 \* [vta\\_marketing@visonictech.com](mailto:vta_marketing@visonictech.com)

**VT United Kingdom** \* Beckenham Kent BR3 90BF, U.K. \* Tel: +44-870-730-0840 \* [vtuk\\_marketing@visonictech.com](mailto:vtuk_marketing@visonictech.com)

**Visonic GmbH** \* D-40215 Düsseldorf Germany \* Tel: +49-(0)-221-600-696-0 \* [support@visonictech.de](mailto:support@visonictech.de)



Manufactured In Israel

